

NOTES:

- *Adjustable precision ground glass vials
- *Stabilised and hardened cast iron base.
- *Precision ground flat and 'V' bearing surfaces
- *'V' Surface in longitudinal and perpendicular direction
- *Sensitivity; 1 division = 0.4mm/m, 0.1mm/m.
- *Optimum vial quality and bubble size gives fast settling time.
- *Stable over a wide temperature range
- *Highly resistant to shock
- *Protective wooden box
- *Repair and re-calibration service for these and other types of precision levels.

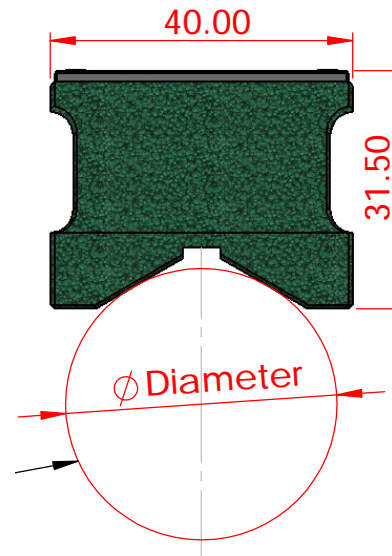
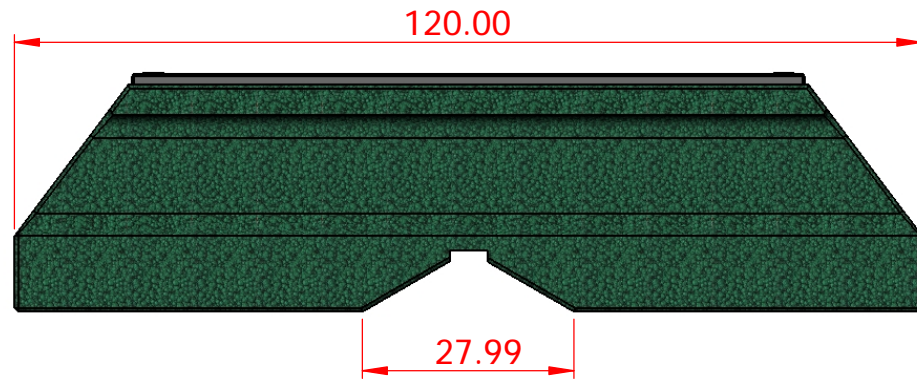
SYMBOL

REVISION RECORD

DATE

Liu

Drawn



Φ from from 17 to 80 (mm)



L.V Level Co.,Ltd

www.level-tool.com
sail@level-tool.com

Unless Otherwise Specified:Units: mm
 Tolerances: XX. ± 1.0 | XX.X ± 0.25 | XX.XX ± 0.1

TITLE: Crankpin Levels

MATERIAL:
 Vial: GLASS
 Housing: IRON

SCALE: 1:1

DRAWN BY:

liu

DATE: 2019-09-23

DRAWING NUMBER

CEL120