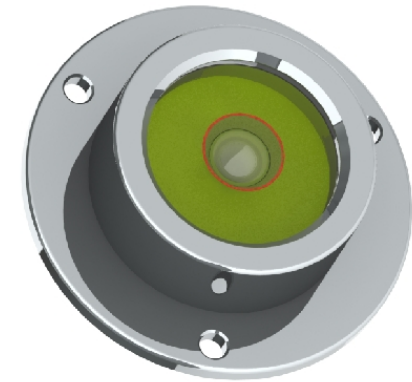
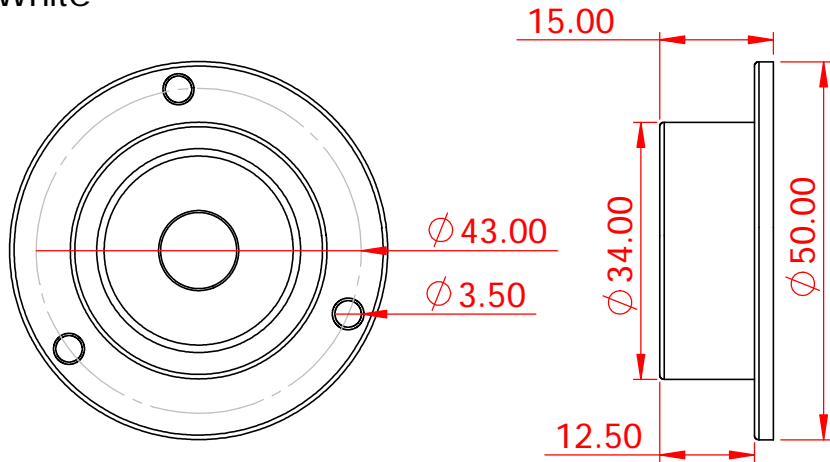


NOTES:

Temp.Range:-25 to +65°C
 Centre Ring: $\Phi 9.5\text{mm} \pm 0.1$ external diameter
 Color : anodised , chrome plated
 Line Thickness:0.5mm
 Bubble: $\Phi 8.0 \pm 0.3$ at 20° C
 Liquid:Green
 Backing:White



3	2	1
SYMBOL	REVISION RECORD	DATE
Liu	Drawn	

Part No	Sensitivity	Finished
SMCLP50	40'/2mm	anodised
SMCL50BP	40'/2mm	chrome

<p>L.V Level Co.,Ltd www.level-tool.com sail@level-tool.com</p>	Unless Otherwise Specified:Units: mm Tolerances: XX. ± 1.0 XX.X ± 0.25 XX.XX ± 0.1	MATERIAL: Vial: Plastic Housing: Aluminium	DRAWN BY: liu	DATE: 2014-6-25
	TITLE: Surface Mounted Circular Levels Diameter 50mm	SCALE: 1:1	DRAWING NUMBER SMCLP50	

768#,Nanhai Road,Nantong,Jiangsu,China