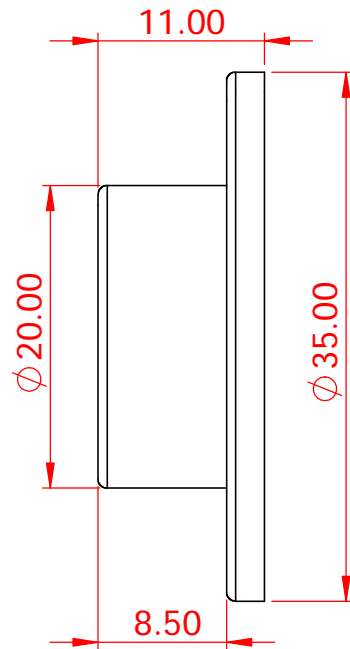
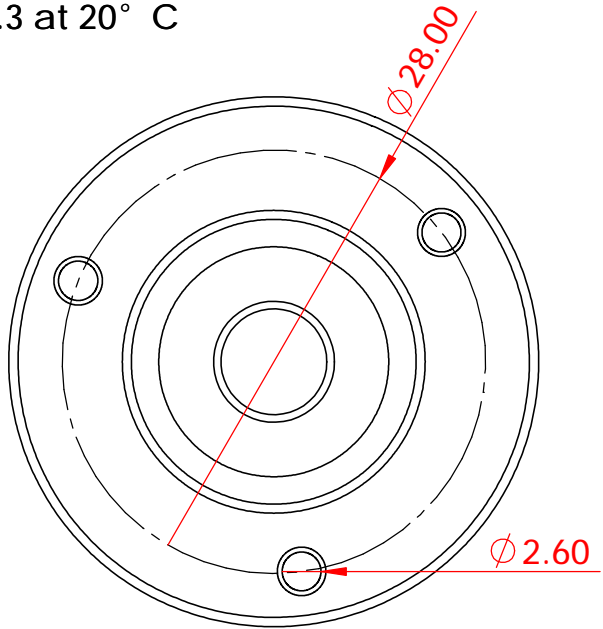


NOTES:

Surface Mounted Circular Levels
 Centre Ring: $\Phi 7.6\text{mm} \pm 0.1$ external diameter
 Color : anodised , chrome plated
 Line Thickness: 0.3mm
 Bubble: $\Phi 6.0 \pm 0.3$ at 20°C
 Liquid: Green
 Backing: White



3	2	1
SYMBOL	REVISION RECORD	DATE
Liu	Drawn	

Part No	Sensitivity	Finished
SMCLP35	30'/2mm	anodised
SMCL35PB	30'/2mm	chrome

 L.V Level Co.,Ltd www.level-tool.com sail@level-tool.com	Unless Otherwise Specified: Units: mm Tolerances: XX. ± 1.0 XX.X ± 0.25 XX.XX ± 0.1	MATERIAL: Vial: Plastic Housing: Aluminium	DRAWN BY: liu	DATE: 2012-2-15
	TITLE: Surface Mounted Circular Levels Diameter 35mm	SCALE: 2:1	DRAWING NUMBER SMCLP35	

768#, Nanhai Road, Nantong, Jiangsu, China