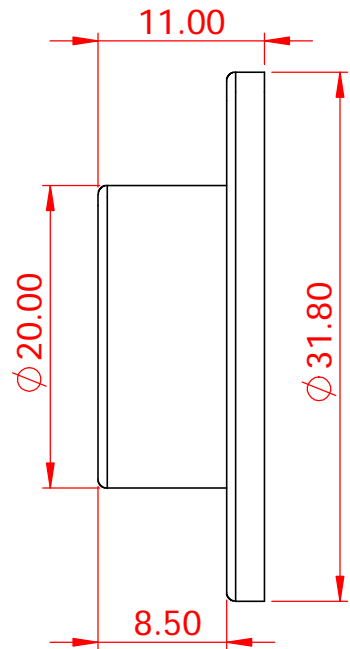
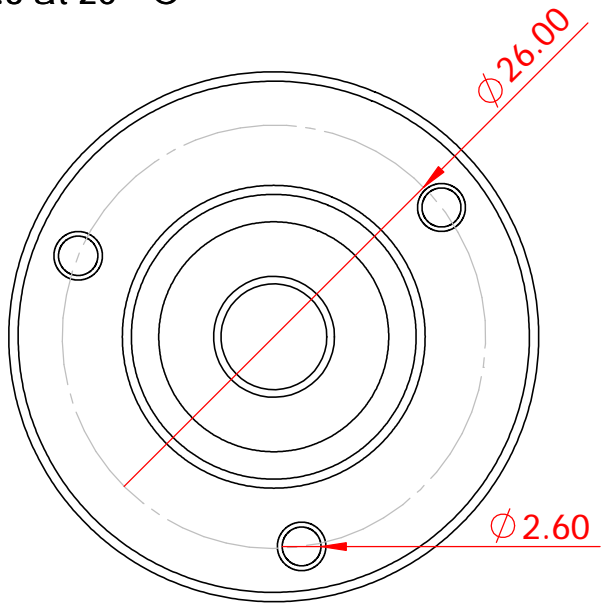


**NOTES:**

Surface Mounted Circular Levels  
 Centre Ring:  $\Phi 7.6\text{mm} \pm 0.1$  external diameter  
 Color : anodised , chrome plated  
 Line Thickness: 0.3mm  
 Bubble:  $\Phi 6.0 \pm 0.3$  at  $20^\circ \text{C}$   
 Liquid: Green  
 Backing: White



SYMBOL	REVISION RECORD	DATE
Liu	Drawn	

Part No	Sensitivity	Finished
SMCLP32	90'/2mm	anodised
SMCLP32B	90'/2mm	chrome

 <b>L.V Level Co.,Ltd</b> <a href="http://www.level-tool.com">www.level-tool.com</a> <a href="mailto:sail@level-tool.com">sail@level-tool.com</a>	Unless Otherwise Specified: Units: mm Tolerances: XX. ± 1.0   XX.X ± 0.25   XX.XX ± 0.1  <b>TITLE:</b> Surface Mounted Circular Levels Diameter 32mm	<b>MATERIAL:</b> Vial: Plastic Housing: Aluminium	<b>DRAWN BY:</b> liu	<b>DATE:</b> 2012-4-15  <b>DRAWING NUMBER</b> SMCLP32
		<b>SCALE:</b> 2:1		

768#, Nanhai Road, Nantong, Jiangsu, China