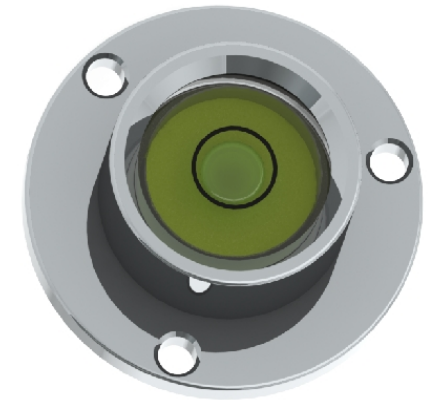
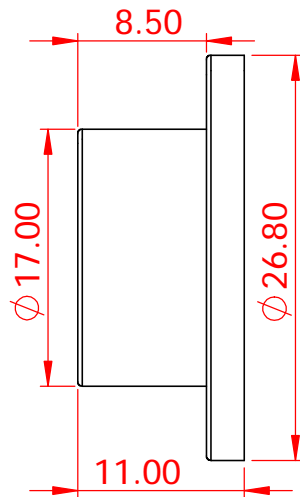
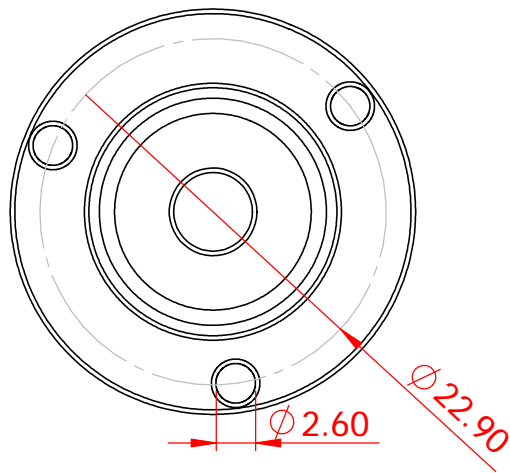


NOTES:

Temp.Range:-25 to +65°C
 Centre Ring: $\Phi 6.3\text{mm} \pm 0.1$ external diameter
 Color : anodised , chrome plated
 Line Thickness:0.3mm
 Bubble: $\Phi 5.0 \pm 0.3$ at 20° C
 Liquid:Green
 Backing:White

3	2	1
SYMBOL	REVISION RECORD	DATE
Liu	Drawn	



Part No	Sensitivity	Finished
SMCLP27	30'/2mm	anodised
SMCLP27-60	60'/2mm	chrome
SMCL27BP	30'/2mm	anodised
SMCL27BP-60	60'/2mm	chrome

L.V Level Co.,Ltd
www.level-tool.com
sail@level-tool.com
 768#,Nanhai Road,Nantong,Jiangsu,China

Unless Otherwise Specified:Units: mm
 Tolerances: XX. ± 1.0 | XX.X ± 0.25 | XX.XX ± 0.1
TITLE: Surface Mounted Circular Levels
 Diameter 27mm

MATERIAL:
 Vial: Plastic
 Housing: Aluminium
SCALE: 2:1

DRAWN BY:
 liu

DATE: 2005-2-15
DRAWING NUMBER
 SMCL27