

**NOTES:**

Temp.Range:-25 to +65°C  
 Centre Ring:  $\Phi 5.3\text{mm} \pm 0.1$  external diameter  
 Color : anodised , chrome plated  
 Line Thickness:0.3mm  
 Bubble: $\Phi 3.8 \pm 0.3$  at 20° C  
 Liquid:Green  
 Backing:White  
 Case Color:Black

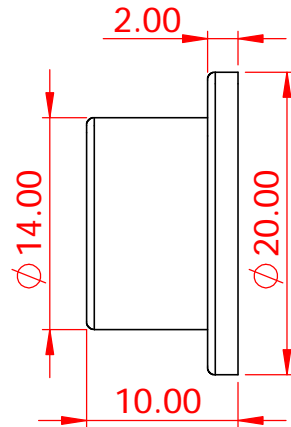
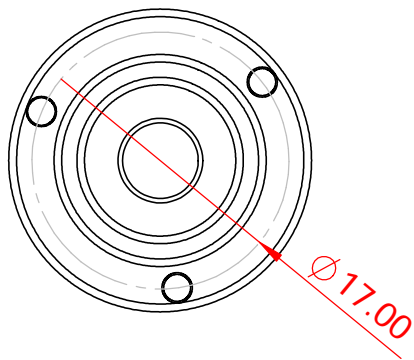
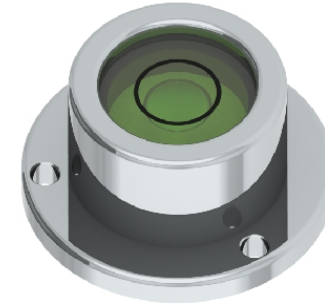
**SYMBOL**

**REVISION RECORD**

**DATE**

Liu

Drawn



Part No	Sensitivity	Finished
SMCLP20	30'/2mm	anodised
SMCLP20-30	60'/2mm	chrome
SMCLP20B	30'/2mm	anodised
SMCLP20B-30	60'/2mm	chrome



**L.V Level Co.,Ltd**

[www.level-tool.com](http://www.level-tool.com)  
[sail@level-tool.com](mailto:sail@level-tool.com)

768#,Nanhai Road,Nantong,Jiangsu,China

Unless Otherwise Specified:Units: mm  
 Tolerances: XX. ± 1.0 | XX.X ± 0.25 | XX.XX ± 0.1

**TITLE:** Surface Mounted Circular Levels  
 Diameter 20mm

**MATERIAL:**  
 Vial: Plastic  
 Housing: Aluminium

**SCALE:** 2:1

**DRAWN BY:**

liu

**DATE:** 2001-12-15

**DRAWING NUMBER**

SMCLP20