

NOTES:

Temp.Range:-40 to +70°C
 Sensitivity:10'/2mm bubble movement
 Centre Ring: $\Phi 6.3\text{mm} \pm 0.1$ external diameter
 Color : anodised , chrome plated
 Line Thickness:0.3mm
 Bubble: $\Phi 5.0 \pm 0.3$ at 20° C
 Liquid:Clear
 Backing:White
 Case Color:Black

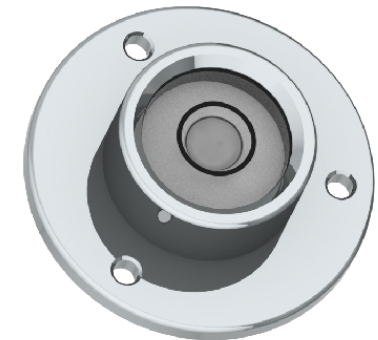
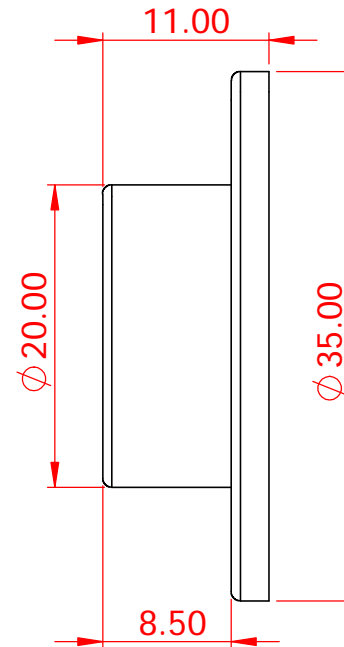
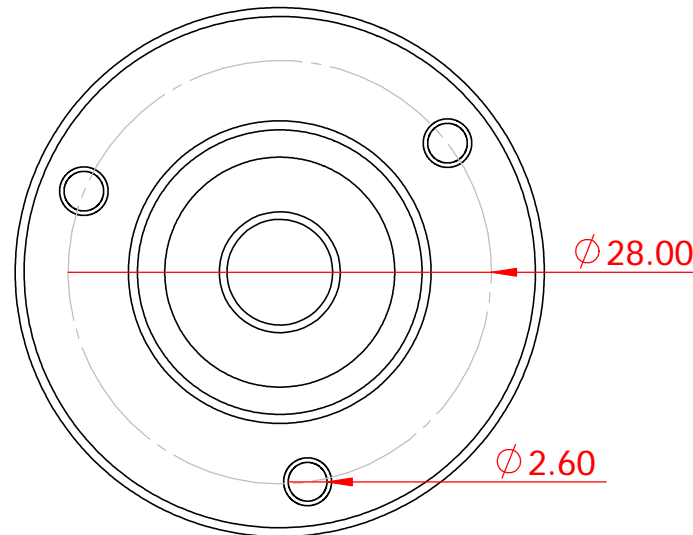
SYMBOL

REVISION RECORD


DATE

Liu

Drawn



Part No	Sensitivity	Finished
SMCL35	10'/2mm	anodised
SMCL35B	10'/2mm	chrome

 **L.V Level Co.,Ltd**
www.level-tool.com
sail@level-tool.com

Unless Otherwise Specified:Units: mm
 Tolerances: XX. ± 1.0 | XX.X ± 0.25 | XX.XX ± 0.1

MATERIAL:
 Vial: Glass
 Housing: Aluminium

DRAWN BY:

DATE: 2012-2-15

liu

DRAWING NUMBER

768#,Nanhai Road,Nantong,Jiangsu,China

TITLE: Surface Mounted Circular Levels
 Diameter 35mm Sensitivity: 10' /2mm

SCALE: 2:1

SMCL35