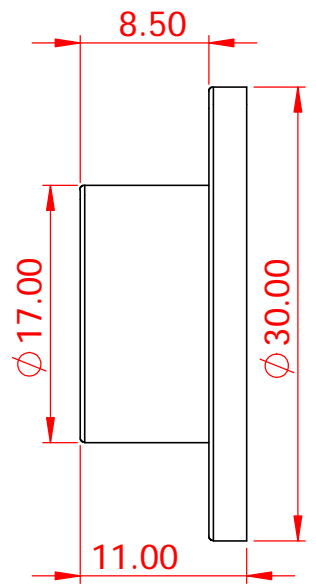
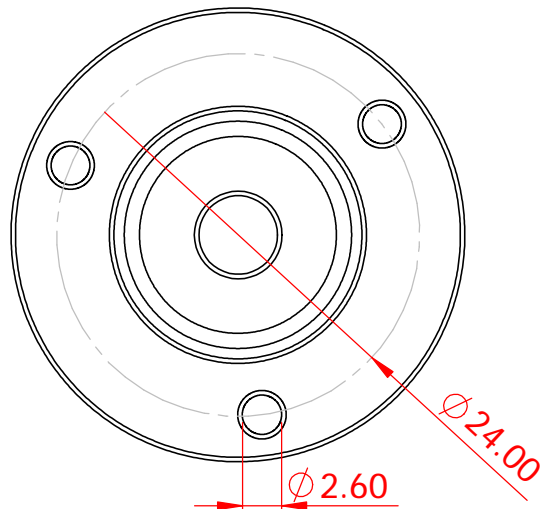


NOTES:

Temp.Range:-40 to +70°C
 Sensitivity:7'-20'/2mm bubble movement
 Centre Ring: $\Phi 6.3\text{mm} \pm 0.1$ external diameter
 Color : anodised , chrome plated
 Line Thickness:0.3mm
 Bubble: $\Phi 5.0 \pm 0.3$ at 20° C
 Liquid:Clear
 Backing:White
 Case Color:Black



3	2	1
SYMBOL	REVISION RECORD	DATE
Liu	Drawn	

Part No	Sensitivity	Finished
SMCL30	7'/2mm	anodised
SMCL30-20	20'/2mm	chrome
SMCL30B	7'/2mm	anodised
SMCL30B-20	20'/2mm	chrome

 L.V Level Co.,Ltd www.level-tool.com sail@level-tool.com	Unless Otherwise Specified:Units: mm Tolerances: XX. ± 1.0 XX.X ± 0.25 XX.XX ± 0.1	MATERIAL: Vial: Glass Housing: Aluminium	DRAWN BY: liu	DATE: 2010-2-13
	TITLE: Surface Mounted Circular Levels Diameter 30mm Sensitivity: 20' /2mm	SCALE: 2:1	DRAWING NUMBER SMCL30	

768#,Nanhai Road,Nantong,Jiangsu,China