

NOTES:

Ball Inclinometer, $\pm 2^\circ$, liquid filled.
 Black Silicon Nitride ball, 14.3mm
 Temperature range: -10 to 50 °C
 Visibility black lines and numbers

SYMBOL

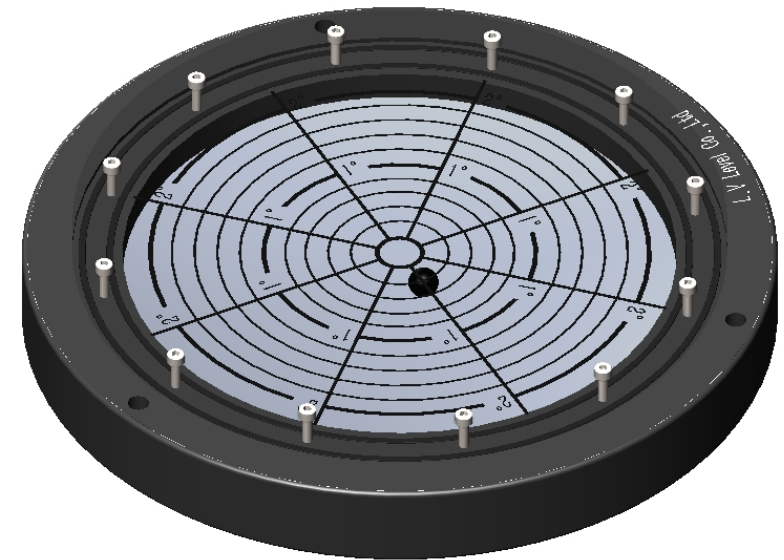
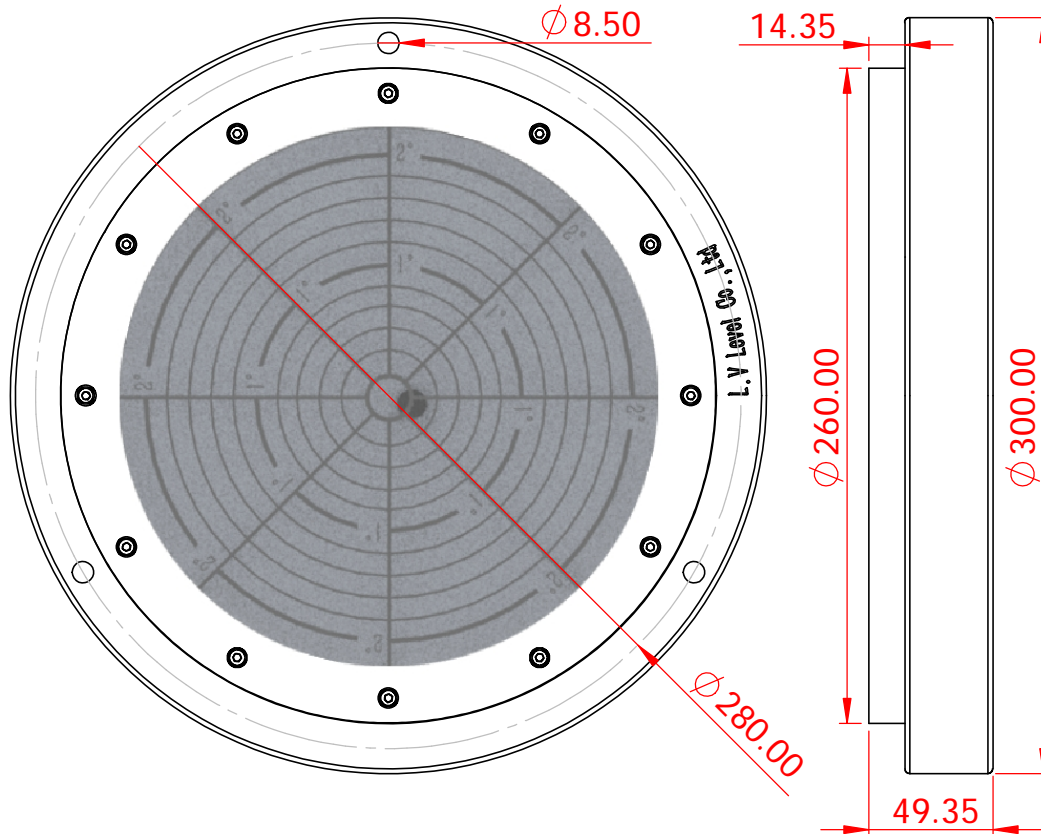
Liu

REVISION RECORD

Drawn

DATE

2019-05-31



L.V Level Co.,Ltd

www.level-tool.com
sail@level-tool.com

Unless Otherwise Specified:Units: mm
 Tolerances: XX. ± 1.0 | XX.X ± 0.25 | XX.XX ± 0.1

TITLE: Subsea bullseye level

MATERIAL:

Housing: Aluminium

SCALE: 1:1

DRAWN BY:

liu

DATE: 2019-05-31

DRAWING NUMBER

SBL-5886-2