

NOTES:

Temp.Range:-40 to +70°C
 Sensitivity:7'-20'/2mm bubble movement
 Centre Ring: $\Phi 6.3\text{mm} \pm 0.1$ external diameter
 Color : anodised , chrome plated
 Line Thickness:0.3mm
 Bubble: $\Phi 5.0 \pm 0.3$ at 20° C
 Liquid:Clear
 Backing:White
 Case Color:Black

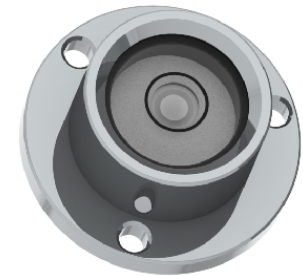
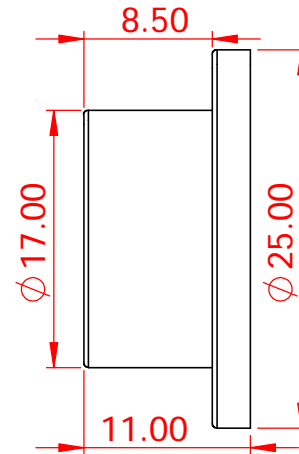
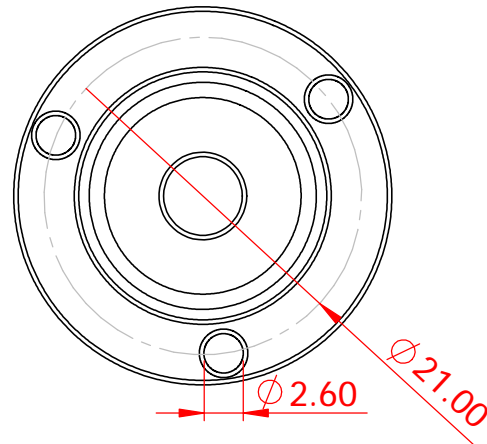
SYMBOL

REVISION RECORD

DATE

Liu

Drawn



Part No	Sensitivity	Finished
SMCL25	7'/2mm	anodised
SMCL25-20	20'/2mm	chrome
SMCL25B	7'/2mm	anodised
SMCL25B-20	20'/2mm	chrome



L.V Level Co.,Ltd

www.level-tool.com
sail@level-tool.com

768#,Nanhai Road,Nantong,Jiangsu,China

Unless Otherwise Specified:Units: mm
 Tolerances: XX. ± 1.0 | XX.X ± 0.25 | XX.XX ± 0.1

TITLE: Surface Mounted Circular Levels
 Diameter 25mm

MATERIAL:
 Vial: Glass
 Housing: Aluminium

SCALE: 2:1

DRAWN BY:

liu

DATE: 2005-12-15

DRAWING NUMBER

SMCL25