

6	5	4	3	2	1
NOTES:			SYMBOL	REVISION RECORD	DATE
Vial sensitivity: 32 minutes per 2mm bubble movement, Welded end caps			Liu	Drawn	2005-03-14

D

D

C

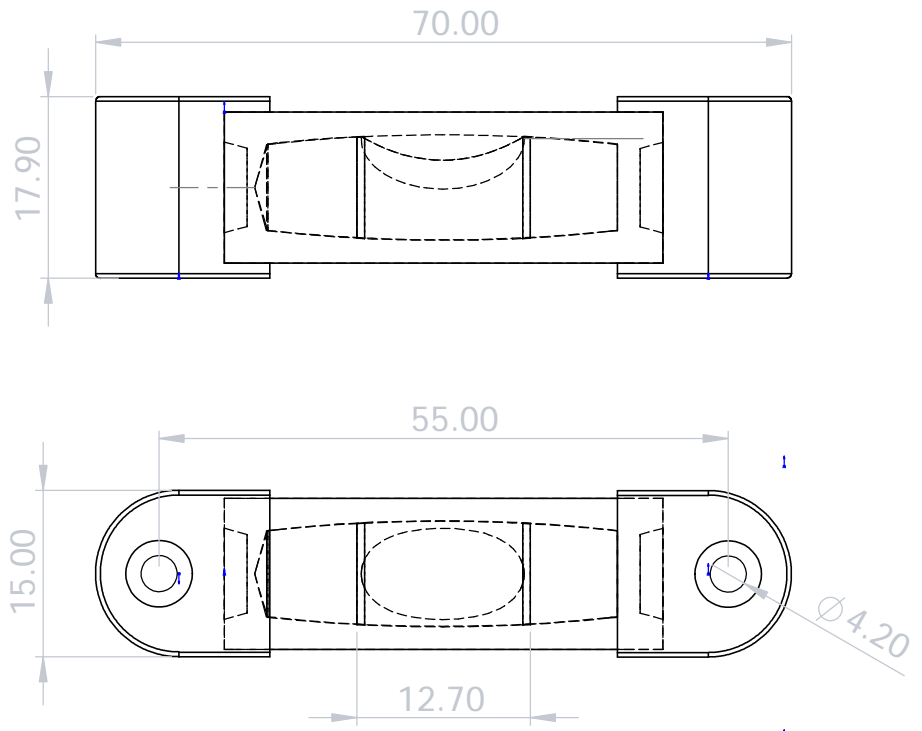
C


B

B

A

A



 **L.V Level Co.,Ltd**
www.level-tool.com
sail@level-tool.com

Unless Otherwise Specified: Units: mm
 Tolerances: XX. ± 1.0 | XX.X ± 0.25 | XX.XX ± 0.1

MATERIAL:
PMMA

DRAWN BY:
liu

DATE: 2005-03-14

DRAWING NUMBER

768#, Nantai Road, Nantong, Jiangsu, China

TITLE: Low cost screw on level PSOL-SF40

SCALE: 2:1

PSOL-SF40

6

5

4

3

2

1