

6		5		4		3		2		1	
NOTES: -						SYMBOL		REVISION RECORD		DATE	
Vial sensitivity:15 minutes per 2mm division Level is set with reference to surface A flat						Liu		drawn		2019-9-10	

D

D

C

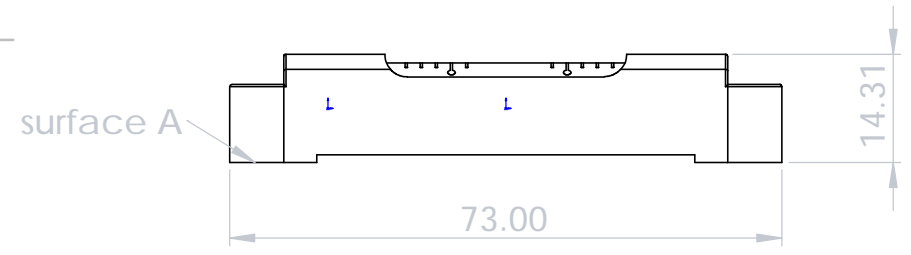
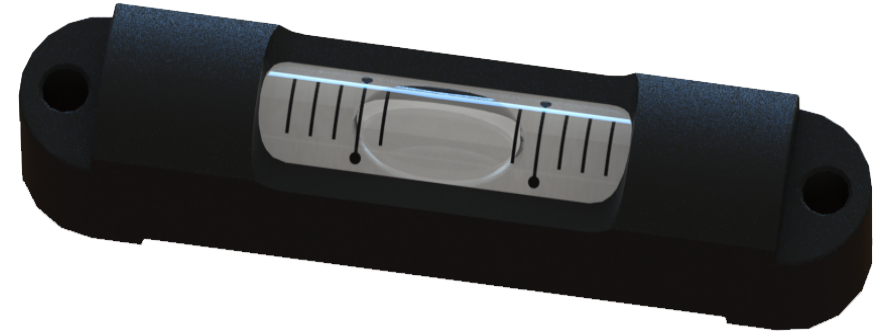
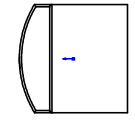
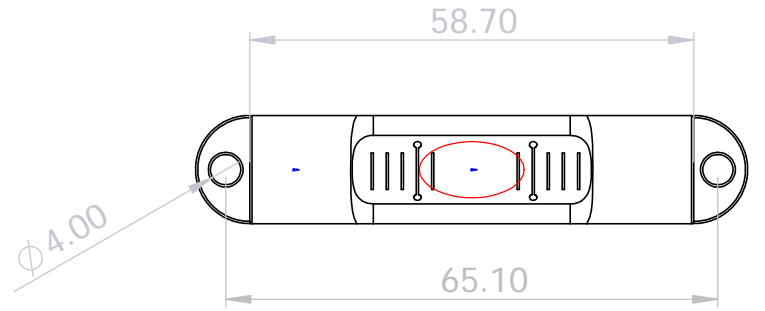
C


B

B

A

A



 **L.V Level Co.,Ltd**
www.level-tool.com
sail@level-tool.com

Unless Otherwise Specified:Units: mm
 Tolerances: XX. ± 1.0 | XX.X ± 0.25 | XX.XX ± 0.1

MATERIAL:
 Aluminum Cover
 Glass Vial

DRAWN BY:
 Liu

DATE: 2019-9-10
DRAWING NUMBER
 ISOLGP15P-1

768#,Nanhai Road,Nantong,Jiangsu,China

TITLE: Instrument level,15'/2mm

SCALE: 1:1