

NOTES:

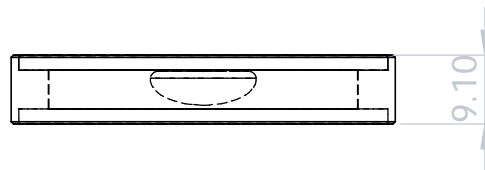
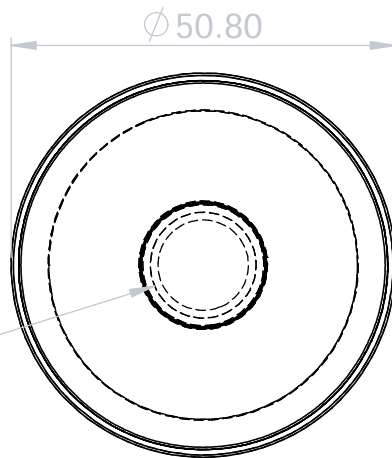
Sensitivity: 8' /2mm bubble movement
 Centre Ring: $\Phi 16.1\text{mm} \pm 0.1$ external diameter
 Color : Black
 Line Thickness: 0.3mm
 Bubble: $\Phi 14.0 \pm 0.3$ at 20° C
 Liquid: Green
 Backing: Transparent
 Case Color: Black

SYMBOL

REVISION RECORD

DATE

Liu	Drawn	2004-1-10



L.V Level Co.,Ltd
www.level-tool.com
sail@level-tool.com

Unless Otherwise Specified:Units: mm
 Tolerances: XX. ± 1.0 | XX.X ± 0.25 | XX.XX ± 0.1

MATERIAL:
 Vial: Glass
 Housing: Chrome Plate

DRAWN BY:

DATE: 2004-1-10

liu

DRAWING NUMBER

768#,Nanhai Road,Nantong,Jiangsu,China

TITLE:
 Circular Vial, $\Phi 50.8\text{mm}$ sensitivity 8' /2mm

SCALE: 1:1

GCV5563-1