

NOTES:

1.0 degree for 3mm ball movement

SYMBOL

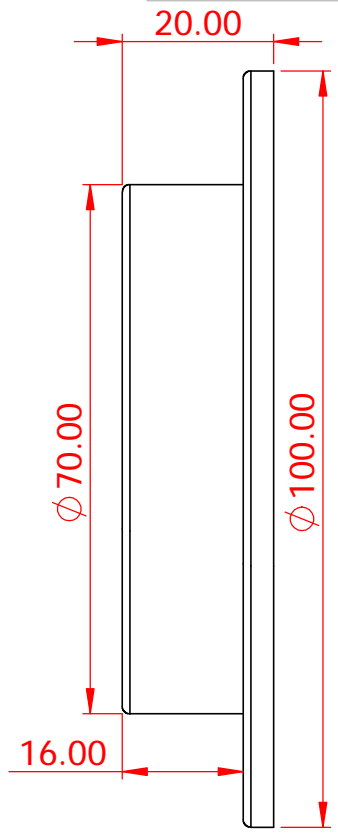
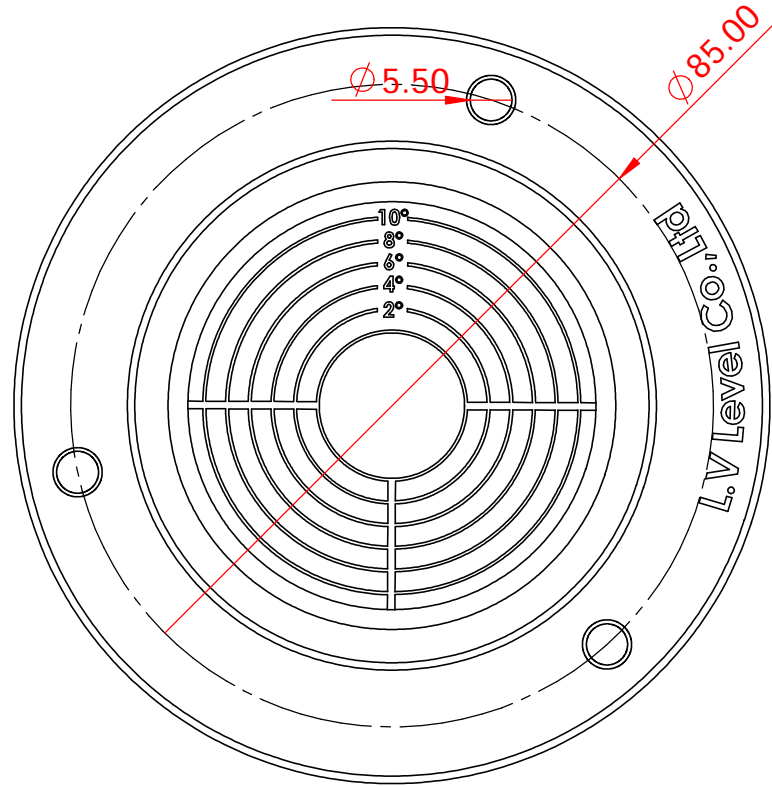
Liu

REVISION RECORD

Drawn

DATE

2010-1-10



 **L.V Level Co.,Ltd**
www.level-tool.com
sail@level-tool.com

Unless Otherwise Specified:Units: mm
 Tolerances: XX. ± 1.0 | XX.X ± 0.25 | XX.XX ± 0.1

MATERIAL:
 Housing: Aluminium

DRAWN BY:
 liu

DATE: 2010-1-10

DRAWING NUMBER
 CIL5229-5

TITLE: Circular Inclinometer Levels

SCALE: 1:1