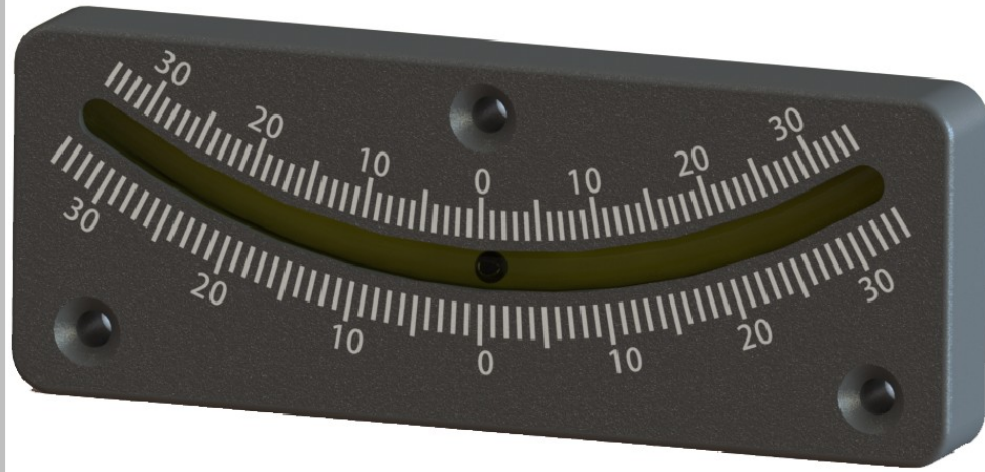
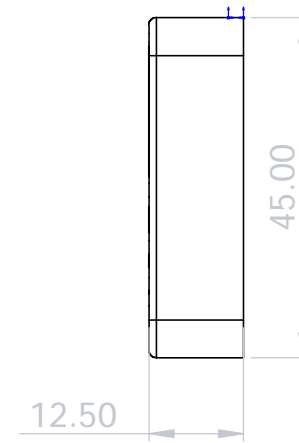
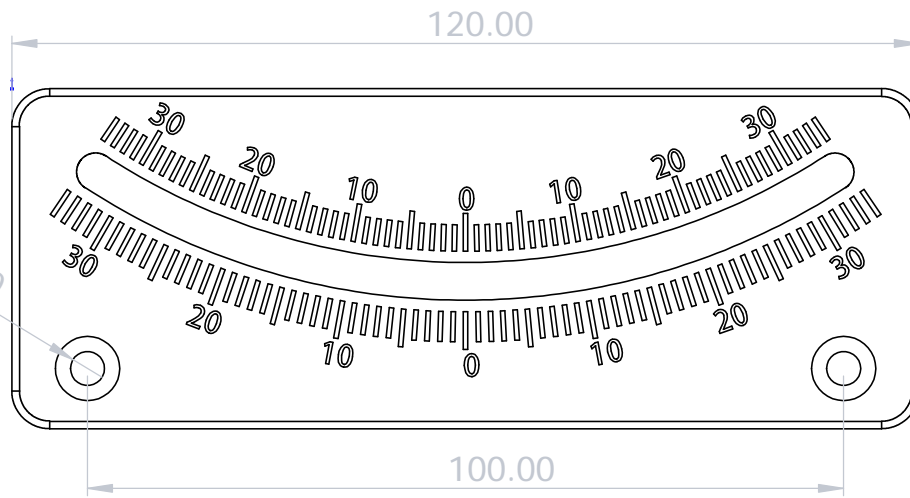


NOTES:



3	2	1
SYMBOL	REVISION RECORD	DATE
Liu	Drawn	2012-03-10



<p><b>L.V Level Co.,Ltd</b>  <a href="http://www.level-tool.com">www.level-tool.com</a>  <a href="mailto:sail@level-tool.com">sail@level-tool.com</a></p>	<p>Unless Otherwise Specified:Units: mm  Tolerances: XX. ± 1.0   XX.X ± 0.25   XX.XX ± 0.1</p>	<p><b>MATERIAL:</b>  Vial: Glass  Housing: Acetal</p>	<p><b>DRAWN BY:</b>  liu</p>	<p><b>DATE:</b> 2012-03-10</p>
	<p><b>TITLE:</b> Ball inclinometer, ±30°</p>	<p><b>SCALE:</b> 1:1</p>	<p><b>DRAWING NUMBER</b>  BBI5923-1</p>	

768#,Nanhai Road,Nantong,Jiangsu,China