

NOTES:

SYMBOL

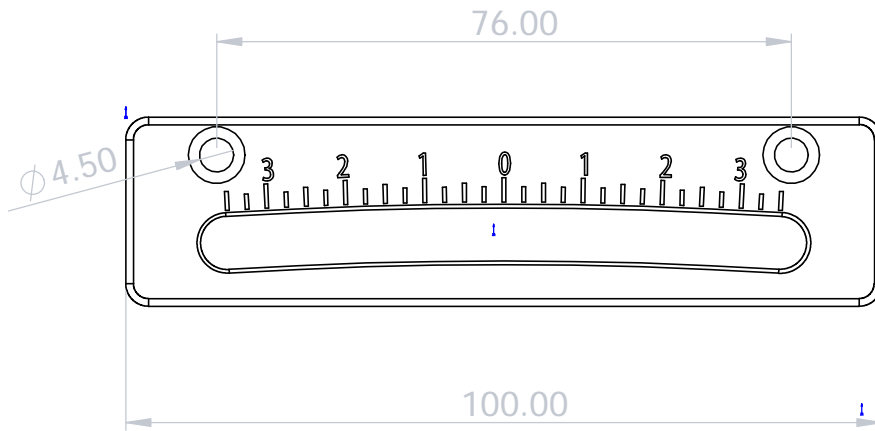
REVISION RECORD

DATE

Liu

Drawn

2009-9-15



L.V Level Co.,Ltd
www.level-tool.com
sail@level-tool.com

Unless Otherwise Specified:Units: mm
 Tolerances: XX. ± 1.0 | XX.X ± 0.25 | XX.XX ± 0.1

MATERIAL:
 Vial: Glass
 Housing: PLASTIC

DRAWN BY:

DATE: 2009-9-15

liu

DRAWING NUMBER

768#,Nanhai Road,Nantong,Jiangsu,China

TITLE:
 Bubble Inclinometer Tiltmeter, ±3°

SCALE: 1:1

BBI5789-1