

NOTES:

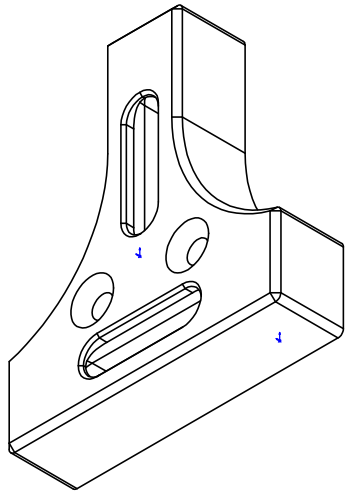
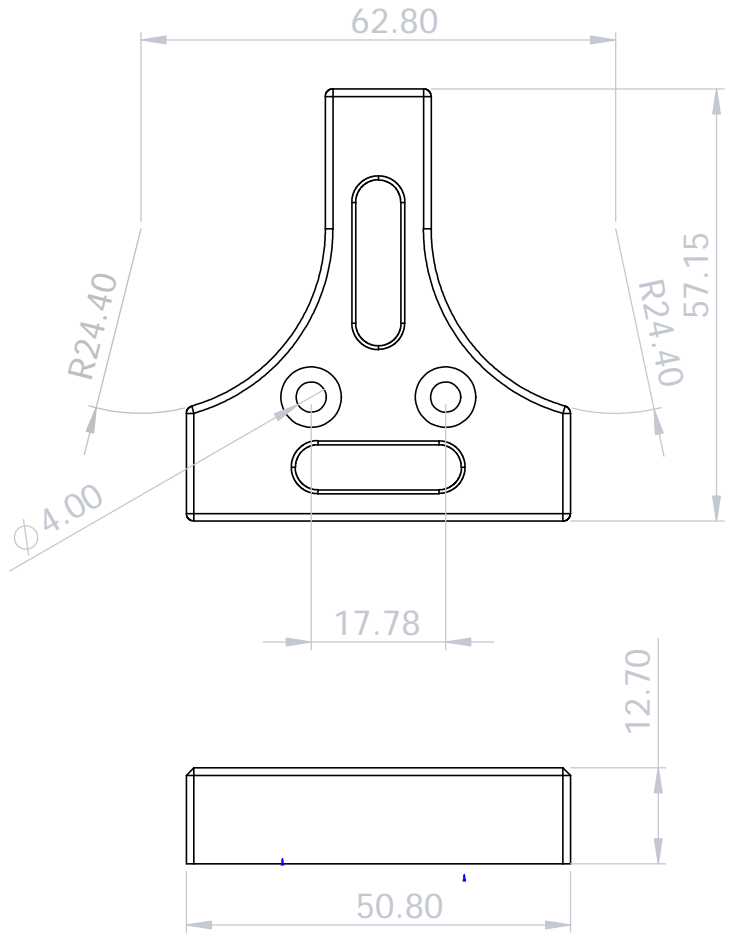
Part Number	Sensitivity	Finish
2AL-T10B	30"/2MM	Black Anodised
2AL-LT10P	30"/2MM	Chrome Plated

SYMBOL

REVISION RECORD

DATE

Liu	Drawn	2009-09-07



Miniature two axis instrument level

L.V Level Co.,Ltd
www.level-tool.com
sail@level-tool.com

Unless Otherwise Specified:Units: mm
 Tolerances: XX. ± 1.0 | XX.X ± 0.25 | XX.XX ± 0.1

MATERIAL:
 Vial: Glass
 Housing: Aluminum

DRAWN BY:
 liu

DATE: 2009-09-07

DRAWING NUMBER

768#,Nanhai Road,Nantong,Jiangsu,China

TITLE:

SCALE: 1:1

2AL-T10