

NOTES:

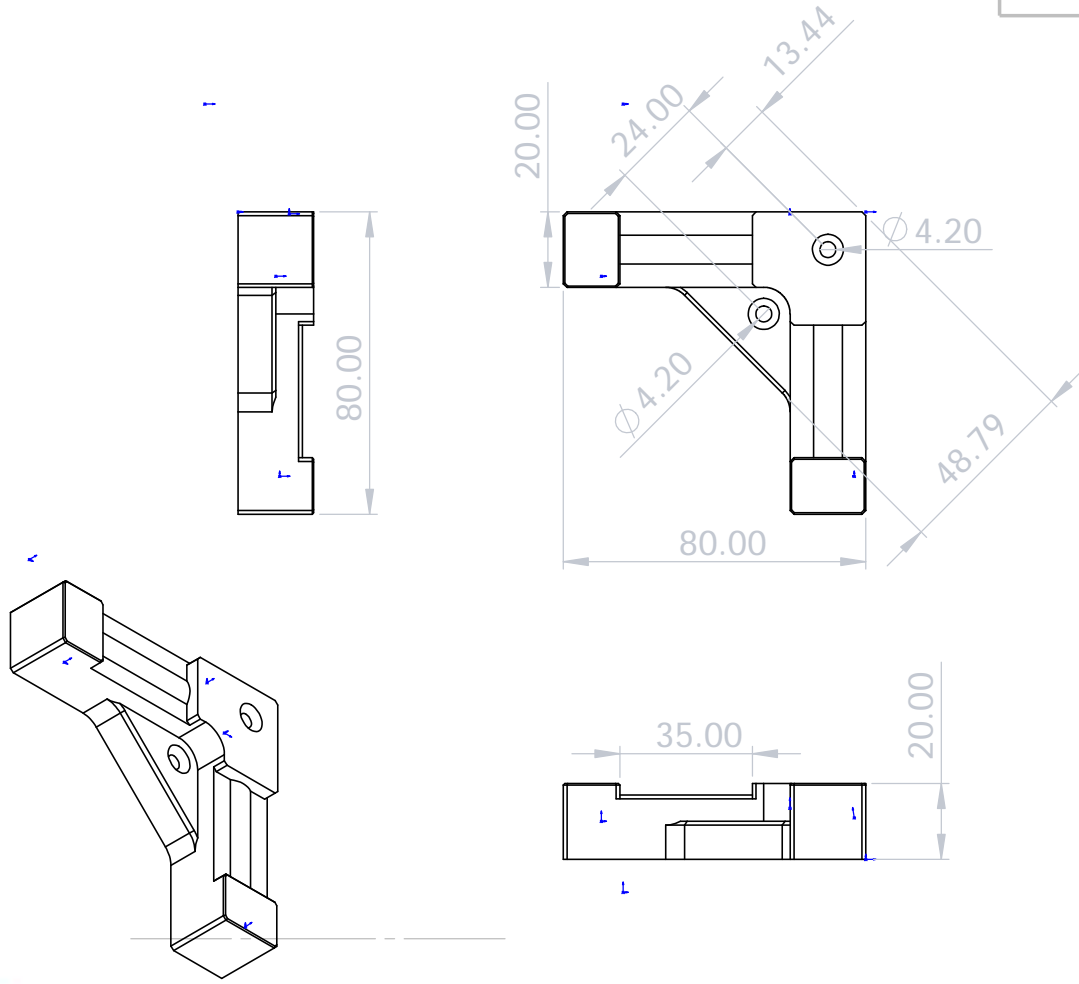
Part Number	Sensitivity	Finish
2AL-LT80/0.1	0.1 mm/m	Enamel
2AL-LT80/0.4	0.4 mm/m	Enamel
2AL-LT80/0.05	0.05 mm/m	Enamel
2AL-LT80/0.02	0.02 mm/m	Enamel

SYMBOL

REVISION RECORD

DATE

Liu	Drawn	2005-11-10



L.V Level Co.,Ltd
www.level-tool.com
sail@level-tool.com

Unless Otherwise Specified:Units: mm
 Tolerances: XX. ± 1.0 | XX.X ± 0.25 | XX.XX ± 0.1

MATERIAL:
 Vial: Glass
 Housing: cast iron

DRAWN BY:
 liu

DATE: 2005-11-10

DRAWING NUMBER

768#,Nanhai Road,Nantong,Jiangsu,China

TITLE: Precision 2 axis level

SCALE: 1:2

2AL-LT80