

NOTES:

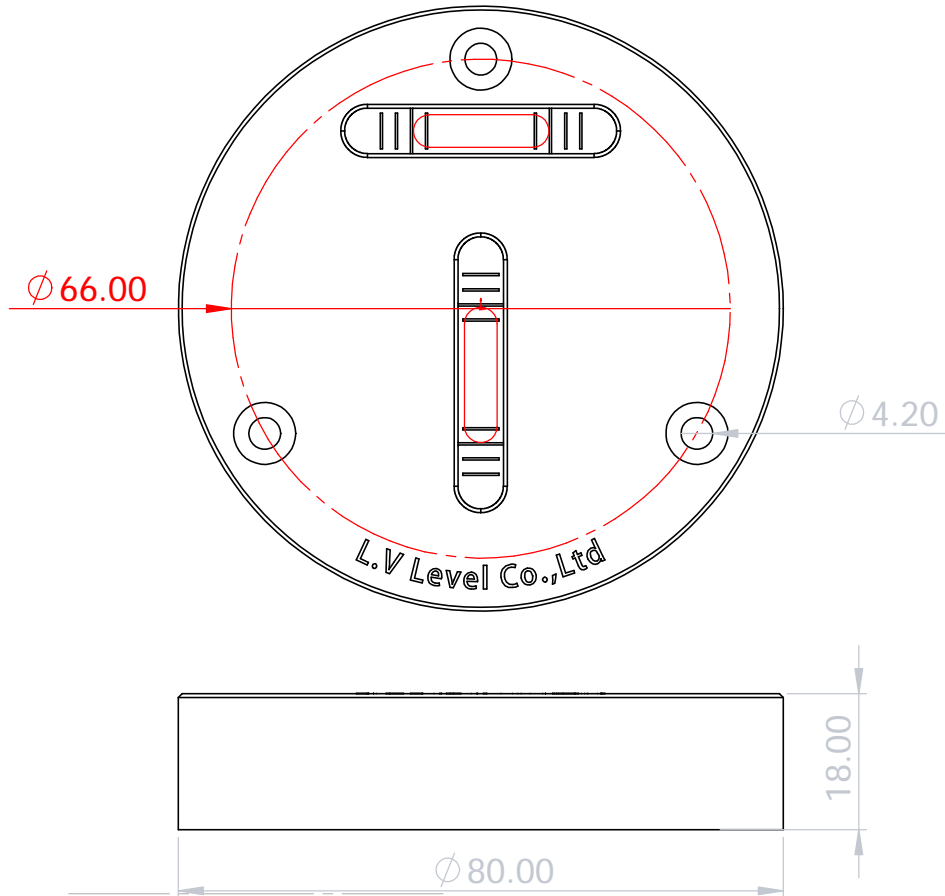
Part Number	Sensitivity	Finish
2AL-CT80B/0.1	0.1mm/m	Black Anodised
2AL-CT80B/0.3	0.3mm/m	Black Anodised

SYMBOL

REVISION RECORD

DATE

Liu	Drawn	2010-11-10



L.V Level Co.,Ltd
www.level-tool.com
sail@level-tool.com

Unless Otherwise Specified:Units: mm
 Tolerances: XX. ± 1.0 | XX.X ± 0.25 | XX.XX ± 0.1

MATERIAL:
 Vial: Glass
 Housing: Aluminum

DRAWN BY:

DATE: 2010-05-10

liu

DRAWING NUMBER

768#,Nanhai Road,Nantong,Jiangsu,China

TITLE: Two Axis Circular Level, Ø80mm

SCALE: 1:1

2AL-CT80